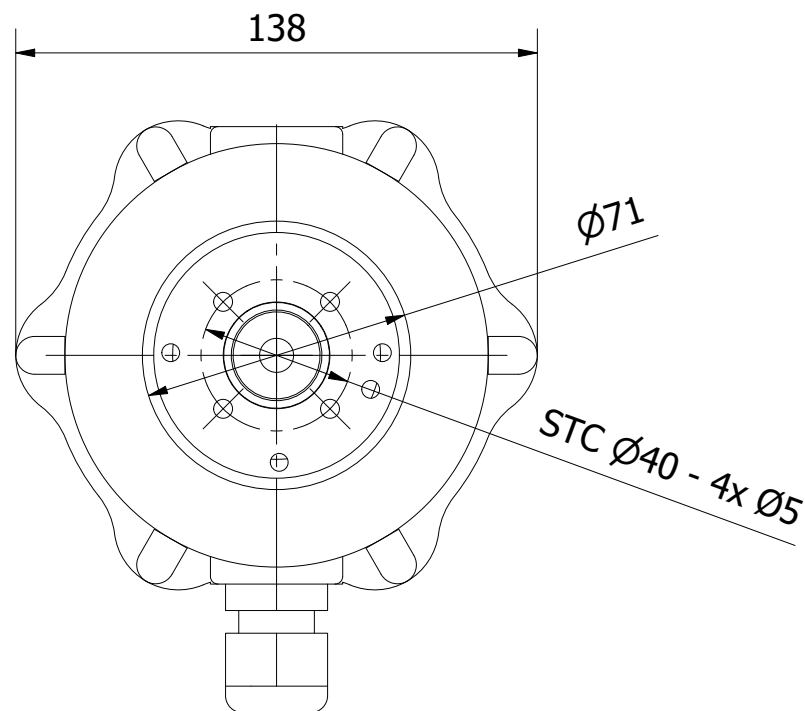
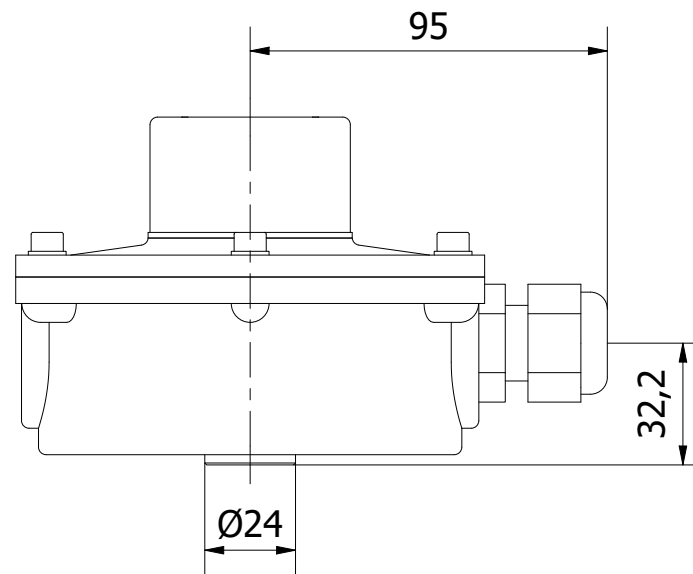
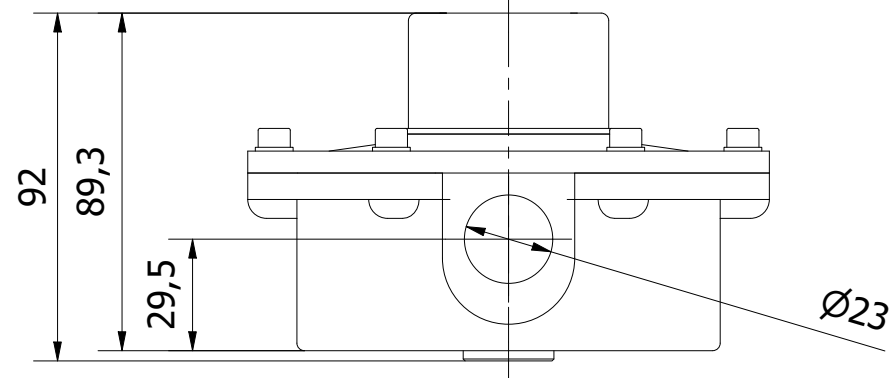
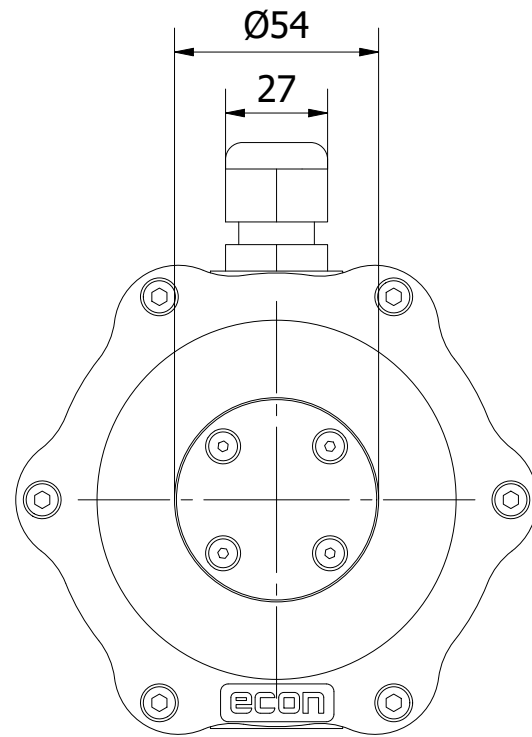
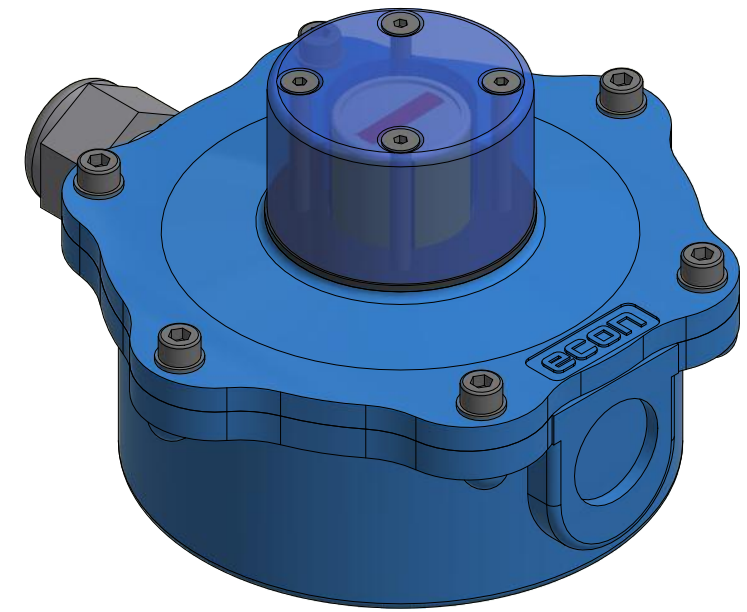


ECON Limit Switchbox fig. 21540/21542




Technical Data:

Operation principle: magnetically operated reed contacts (2 sets)
 Suitable for: hydraulic quarter turn actuators
 Protection degree: IP68 - 50mtr. / 48hrs.

Reed relay features:

Switching capacity max.: 10 W/VA
 Switching voltage max.: 100 VAC
 Switching current max.: 0,5 A
 Limiting current max.: 1 A
 Dielectric strength min.: 250 VDC
 Contact resistance max.: 150 mOhms
 Insulation resistance typ.: 10 Ohms
 Switching time: 1,8 ms
 Bounce time: 0,2 ms
 Release time: 0,03 ms
 Resonance frequency: 5000 Hz
 Operating frequency max.: 200 Hz
 Shock (11ms): 50 g's
 Capacitance: 0,7 pF
 Operating temperature: -40°C - +150°C
 Test coil type: 1035

ITEM	QTY	PART NUMBER	DESCRIPTION
1	1	Econ Limit Switchbox	fig. 21540/24542
Designed by		Checked by	Approved by
Joost Douwes Dekker		R. v. Eekelen	
		Date	Date
			27-5-2020
			Edition
			0
C-40138			Sheet
			1 / 1